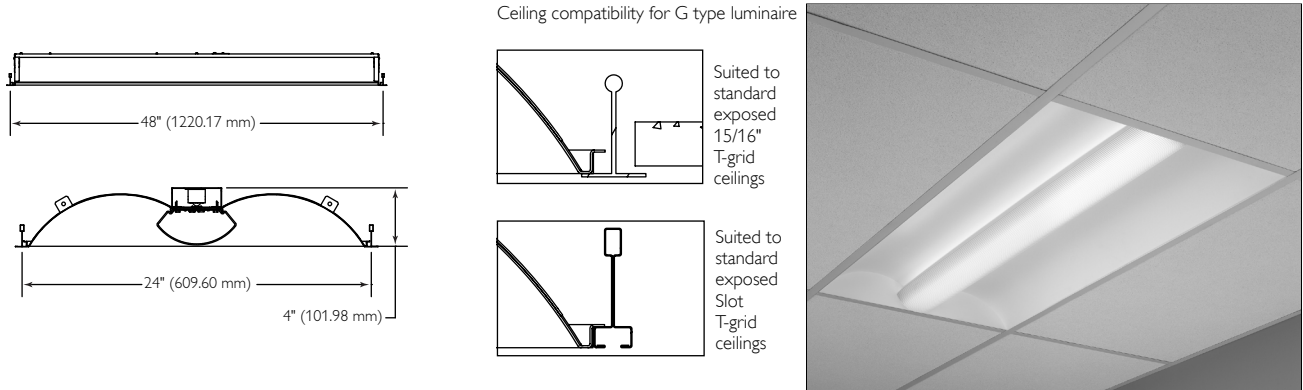


Alter Concept Elegance Lens LED 2x4

2' x 4' direct/indirect recessed LED



Ordering information

QCE		G	OL	OP					
Family	Dimension	Ceiling Type	Lamp Shield		Lumens	CCT	Voltage	Driver Type	Options
Alter Elegance Lens LED	24 = 2' x 4'	G = Fits standard 15/16" T-bar or 9/16" slot T ceiling	OL = 100% Frost Acrylic Lens		39 = 3900 lm nominal 43 = 4300 lm nominal 49 = 4900 lm nominal 74 = 7400 lm nominal	35 = 3500K 40 = 4000K	U = 120/277V 3 = 347 ¹⁾	LAG = LED Driver DZT = 0-10V Dimming	
				Lamp Shield Details					
				OP = One piece lamp shield					

1) 347V requires deeper housing

Features

- High performance curved opal lens provides soft, balanced, direct and reflected light
- Seamless welded form – curved top and side reflectors formed together without any gaps or visual barriers
- High performance LED technology capable of delivering 4848 lm at 44W
- Multiple lumen outputs available to balance energy savings with lighting application needs
- Ideal for indoor general area lighting – offices, schools, retail and health care applications
- High lumen package version available for retail applications (7400 lm at 75W) - provides similar light output to a 3-32W T8 luminaire and 12% energy savings
- 80+ CRI and excellent colour consistency
- Provides 25-40% energy savings over 2-T5 (28W) fluorescent luminaires
- Long life LEDs provide 50,000 hours of rated life (L₈₀)
- Predicted L70 lifetime based on LED manufacturer's supplied LM-80 data and in-situ laboratory testing
- Dimming option available

Specifications

Materials: One piece chassis constructed from die formed 20 gauge cold rolled steel.

Finish: 95% reflectance baked white acrylic matte paint finish.

Shielding: High performance contoured lens conceals lamp image providing balance between reflected and direct light
Electrical: LED boards and drivers are RoHS (Restriction of Hazardous Substances) compliant. For dimming options, consult factory. LED array and driver accessible from below.
Labels: cCSAus

Option/Accessories

Electrical wiring options: Consult factory
Drywall kit: Order Catalogue Number: FK92X4
Lens Replacement: Order Catalogue Number: QCE24OLOP
Emergency options: Consult factory – requires a deeper housing

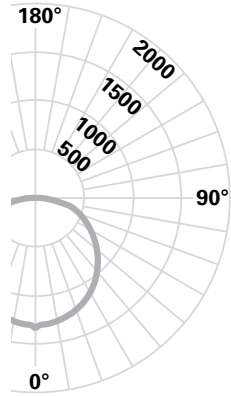
Job Information	Type:
Job Name:	
Cat. No.:	
Notes:	

Alter Concept Elegance Lens LED 2x4

2' x 4' direct/indirect recessed LED

Performance

CANDLEPOWER CURVE 3900 LM



CANDLEPOWER

ZONE DEG	ALONG				ACROSS
	22.5	45	67.5		
0	1345	1345	1345	1345	1345
5	1341	1352	1354	1343	1310
10	1320	1333	1338	1330	1298
15	1284	1300	1307	1297	1268
20	1234	1252	1261	1257	1233
25	1169	1189	1209	1209	1185
30	1092	1117	1145	1148	1127
35	1001	1030	1068	1081	1064
40	901	934	986	1004	992
45	796	831	903	921	912
50	683	723	799	834	830
55	573	613	699	743	743
60	466	509	604	654	657
65	364	409	507	563	569
70	272	319	416	475	483
75	195	235	332	388	398
80	124	160	246	288	289
85	60	91	136	129	121
90	0	0	0	0	0

REPORT NO: C12142
 CAT. NO: QCE24GOLOP3940ULAG
 Output: 3915 lumens at 4000K
 Efficacy: 97.2 lm/W
 Candela at Nadir: 1345cd

COEFFICIENTS OF UTILIZATION

ZONAL CAVITY METHOD * EFFECTIVE FLOOR CAVITY REFLECTANCE = .20

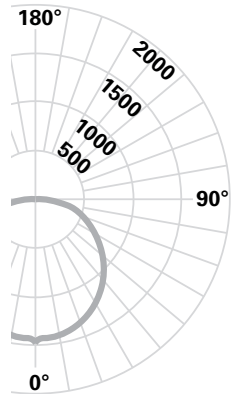
Room Cavity Ratio	Wall Reflectance											
	80				70				50			
	70	50	30	10	70	50	30	10	50	30	10	
0	1.19	1.19	1.19	1.19	1.16	1.16	1.16	1.16	1.11	1.11	1.11	
1	1.09	1.04	1.00	.96	1.06	1.02	.98	.94	.97	.94	.91	
2	.99	.92	.85	.79	.97	.90	.83	.78	.86	.81	.76	
3	.91	.81	.73	.66	.88	.79	.72	.66	.76	.70	.65	
4	.84	.72	.64	.57	.82	.71	.63	.57	.68	.61	.56	
5	.77	.65	.56	.49	.75	.63	.55	.49	.61	.54	.48	
6	.71	.58	.49	.43	.69	.57	.48	.42	.55	.48	.42	
7	.65	.52	.43	.37	.64	.51	.43	.37	.49	.42	.37	
8	.61	.47	.39	.33	.59	.46	.38	.33	.45	.38	.32	
9	.56	.43	.35	.29	.55	.42	.34	.29	.41	.34	.29	
10	.52	.39	.31	.26	.51	.38	.31	.26	.37	.30	.25	

DETERMINED IN ACCORDANCE WITH CURRENT IES PUBLISHED PROCEDURES
 LUMINAIRE INPUT WATTS = 40.3

DISTRIBUTION

ZONE	LUMENS	%LUMINAIRE
0-30	1044	26.67
0-40	1702	43.46
0-60	2983	76.19
0-90	3915	100.00
40-90	2214	56.54
60-90	932	23.81
90-180	0	0.00
0-180	3915	100.00

CANDLEPOWER CURVE 4300 LM



CANDLEPOWER

ZONE DEG	ALONG				ACROSS
	22.5	45	67.5		
0	1478	1478	1478	1478	1478
5	1477	1488	1489	1471	1433
10	1454	1467	1472	1457	1420
15	1415	1431	1437	1421	1387
20	1359	1377	1387	1377	1348
25	1288	1308	1329	1324	1295
30	1202	1228	1258	1258	1233
35	1102	1132	1174	1184	1163
40	992	1027	1084	1100	1085
45	872	912	983	1008	997
50	749	795	877	912	906
55	627	674	767	812	810
60	509	559	660	714	716
65	398	449	556	614	618
70	297	349	458	518	524
75	207	262	366	422	430
80	127	183	272	309	304
85	61	105	145	132	123
90	0	0	0	0	0

REPORT NO: C12131
 CAT. NO: QCE24GOLOP4340ULAG
 Output: 4288 lumens at 4000K
 Efficacy: 109.4 lm/W
 Candela at Nadir: 1478cd

COEFFICIENTS OF UTILIZATION

ZONAL CAVITY METHOD * EFFECTIVE FLOOR CAVITY REFLECTANCE = .20

Room Cavity Ratio	Wall Reflectance											
	80				70				50			
	70	50	30	10	70	50	30	10	50	30	10	
0	1.19	1.19	1.19	1.19	1.16	1.16	1.16	1.16	1.11	1.11	1.11	
1	1.09	1.04	1.00	.96	1.06	1.02	.98	.94	.97	.94	.91	
2	.99	.92	.85	.79	.97	.90	.83	.78	.86	.81	.76	
3	.91	.81	.73	.66	.88	.79	.72	.66	.76	.70	.65	
4	.84	.72	.64	.57	.82	.71	.63	.57	.68	.62	.56	
5	.77	.65	.56	.49	.75	.63	.55	.49	.61	.54	.49	
6	.71	.58	.49	.43	.69	.57	.49	.43	.55	.48	.42	
7	.65	.52	.43	.37	.64	.51	.43	.37	.50	.42	.37	
8	.61	.47	.39	.33	.59	.46	.38	.33	.45	.38	.33	
9	.56	.43	.35	.29	.55	.42	.34	.29	.41	.34	.29	
10	.52	.39	.31	.26	.51	.38	.31	.26	.37	.30	.26	

DETERMINED IN ACCORDANCE WITH CURRENT IES PUBLISHED PROCEDURES
 LUMINAIRE INPUT WATTS = 39.2

DISTRIBUTION

ZONE	LUMENS	%LUMINAIRE
0-30	1147	26.74
0-40	1868	43.57
0-60	3271	76.29
0-90	4288	100.00
40-90	2420	56.43
60-90	1017	23.71
90-180	0	0.00
0-180	4288	100.00

Job Information

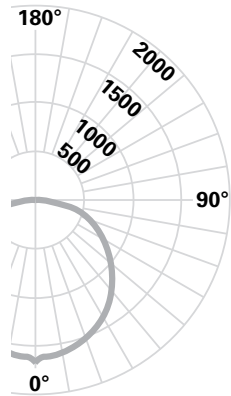
Type:

Alter Concept Elegance Lens LED 2x4

2' x 4' direct/indirect recessed LED

Performance

CANDLEPOWER CURVE 4900 LM



CANDLEPOWER

ZONE DEG	ALONG				ACROSS
	22.5	45	67.5		
0	1667	1667	1667	1667	1667
5	1668	1681	1683	1659	1610
10	1642	1657	1663	1642	1594
15	1597	1615	1623	1601	1556
20	1533	1553	1565	1551	1515
25	1451	1474	1499	1492	1456
30	1352	1380	1417	1417	1387
35	1238	1271	1321	1333	1309
40	1113	1150	1217	1231	1221
45	978	1021	1102	1150	1122
50	841	886	980	1025	1021
55	704	751	856	912	914
60	571	639	735	800	808
65	447	575	617	573	697
70	334	518	508	334	592
75	234	467	403	275	484
80	146	421	298	203	326
85	71	377	150	157	125
90	0	0	0	0	0

REPORT NO: C12079
 CAT. NO: QCE24GOLOP4940ULAG
 Output: 4848 lumens at 4000K
 Efficacy: 109.9 lm/W
 Candela at Nadir: 1667cd

COEFFICIENTS OF UTILIZATION

ZONAL CAVITY METHOD * EFFECTIVE FLOOR CAVITY REFLECTANCE = .20

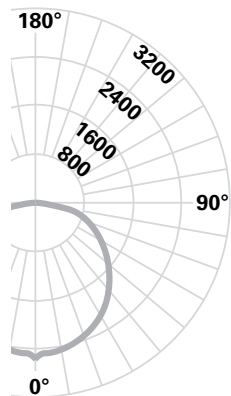
Room Cavity Ratio	Wall Reflectance										
	80			70			50				
	70	50	30	10	70	50	30	10	50	30	10
0	1.19	1.19	1.19	1.19	1.16	1.16	1.16	1.16	1.11	1.11	1.11
1	1.09	1.04	.99	.95	1.06	1.02	.97	.94	.97	.94	.91
2	.99	.91	.85	.79	.97	.89	.83	.78	.86	.80	.76
3	.91	.80	.72	.66	.88	.79	.71	.65	.76	.70	.64
4	.84	.72	.63	.57	.82	.71	.63	.56	.68	.61	.56
5	.77	.64	.56	.49	.75	.63	.55	.49	.61	.54	.48
6	.71	.58	.49	.43	.69	.57	.48	.42	.55	.48	.42
7	.65	.52	.43	.37	.64	.51	.43	.37	.49	.42	.37
8	.61	.47	.39	.33	.59	.46	.38	.33	.45	.38	.32
9	.56	.43	.34	.29	.55	.42	.34	.29	.41	.34	.29
10	.52	.39	.31	.26	.51	.38	.31	.26	.37	.30	.25

DETERMINED IN ACCORDANCE WITH CURRENT IES PUBLISHED PROCEDURES
 LUMINAIRE INPUT WATTS = 44.1

DISTRIBUTION

ZONE	LUMENS	%LUMINAIRE
0-30	1292	26.66
0-40	2104	43.39
0-60	3678	75.87
0-90	4848	100.00
40-90	2744	56.61
60-90	1170	24.13
90-180	0	0.00
0-180	4848	100.00

CANDLEPOWER CURVE 7400 LM



CANDLEPOWER

ZONE DEG	ALONG				ACROSS
	22.5	45	67.5		
0	2560	2560	2560	2560	2560
5	2563	2585	2587	2544	2468
10	2523	2547	2556	2518	2446
15	2453	2483	2495	2457	2390
20	2355	2388	2406	2381	2325
25	2229	2268	2306	2291	2236
30	2078	2126	2180	2177	2130
35	1902	1958	2034	2050	2013
40	1711	1772	1875	1905	1879
45	1504	1575	1698	1745	1728
50	1291	1367	1512	1580	1573
55	1081	1159	1322	1407	1409
60	876	963	1137	1236	1245
65	686	772	956	1062	1077
70	512	604	783	895	914
75	357	453	626	726	745
80	220	312	460	503	492
85	105	175	220	191	180
90	0	0	0	0	0

REPORT NO: C12062
 CAT. NO: QCE24GOLOP7440ULAG
 Output: 7392 lumens at 4000K
 Efficacy: 98.7 lm/W
 Candela at Nadir: 2560cd

COEFFICIENTS OF UTILIZATION

ZONAL CAVITY METHOD * EFFECTIVE FLOOR CAVITY REFLECTANCE = .20

Room Cavity Ratio	Wall Reflectance										
	80			70			50				
	70	50	30	10	70	50	30	10	50	30	10
0	1.19	1.19	1.19	1.19	1.16	1.16	1.16	1.16	1.11	1.11	1.11
1	1.09	1.04	1.00	.96	1.06	1.02	.98	.95	.98	.95	.92
2	1.00	.92	.85	.79	.97	.90	.84	.79	.86	.81	.77
3	.91	.81	.73	.67	.89	.79	.72	.66	.76	.70	.65
4	.84	.72	.64	.57	.82	.71	.63	.57	.69	.62	.56
5	.77	.65	.56	.49	.75	.64	.55	.49	.61	.54	.49
6	.71	.58	.49	.43	.69	.57	.49	.43	.55	.48	.42
7	.65	.52	.43	.38	.64	.51	.43	.37	.50	.42	.37
8	.61	.47	.39	.33	.59	.46	.38	.33	.45	.38	.33
9	.56	.43	.35	.29	.55	.42	.34	.29	.41	.34	.29
10	.52	.39	.31	.26	.51	.39	.31	.26	.38	.30	.26

DETERMINED IN ACCORDANCE WITH CURRENT IES PUBLISHED PROCEDURES
 LUMINAIRE INPUT WATTS = 74.9

DISTRIBUTION

ZONE	LUMENS	%LUMINAIRE
0-30	1986	26.87
0-40	3234	43.76
0-60	5659	76.56
0-90	7392	100.00
40-90	4157	56.24
60-90	1733	23.44
90-180	0	0.00

Catalogue Number	Delivered Lumens	Input Watts	Efficacy lm/W	8' x 8' avg fc	8' x 8' W/sq ft	8' x 10' avg fc	8' x 10' W/sq ft
QCE24GOLOP3940ULAG	3915	40.3	97.1	61.2	0.63	48.9	0.50
QCE24GOLOP4340ULAG	4288	39.2	109.4	67.0	0.61	53.6	0.49
QCE24GOLOP4940ULAG	4848	44.1	109.9	75.8	0.69	60.6	0.55
QCE24GOLOP7440ULAG	7392	74.9	98.7	115.5	1.17	92.4	0.94



Canlyte
 3015 Louis-Amos, Lachine, Québec H8T 1C4
 e: canlyte-info@philips.com
 t: (514) 636-0670
 w: www.canlyte.com
 QCE24GOLOP July 18, 2012.
 Specifications are subject to change without notice.
 © Koninklijke Philips Electronics N.V., 2011. All rights reserved.

Job Information

Type:

